

# SPARE PARTS CATALOGUE

## STANDARD AND PREMIUM CABINETS

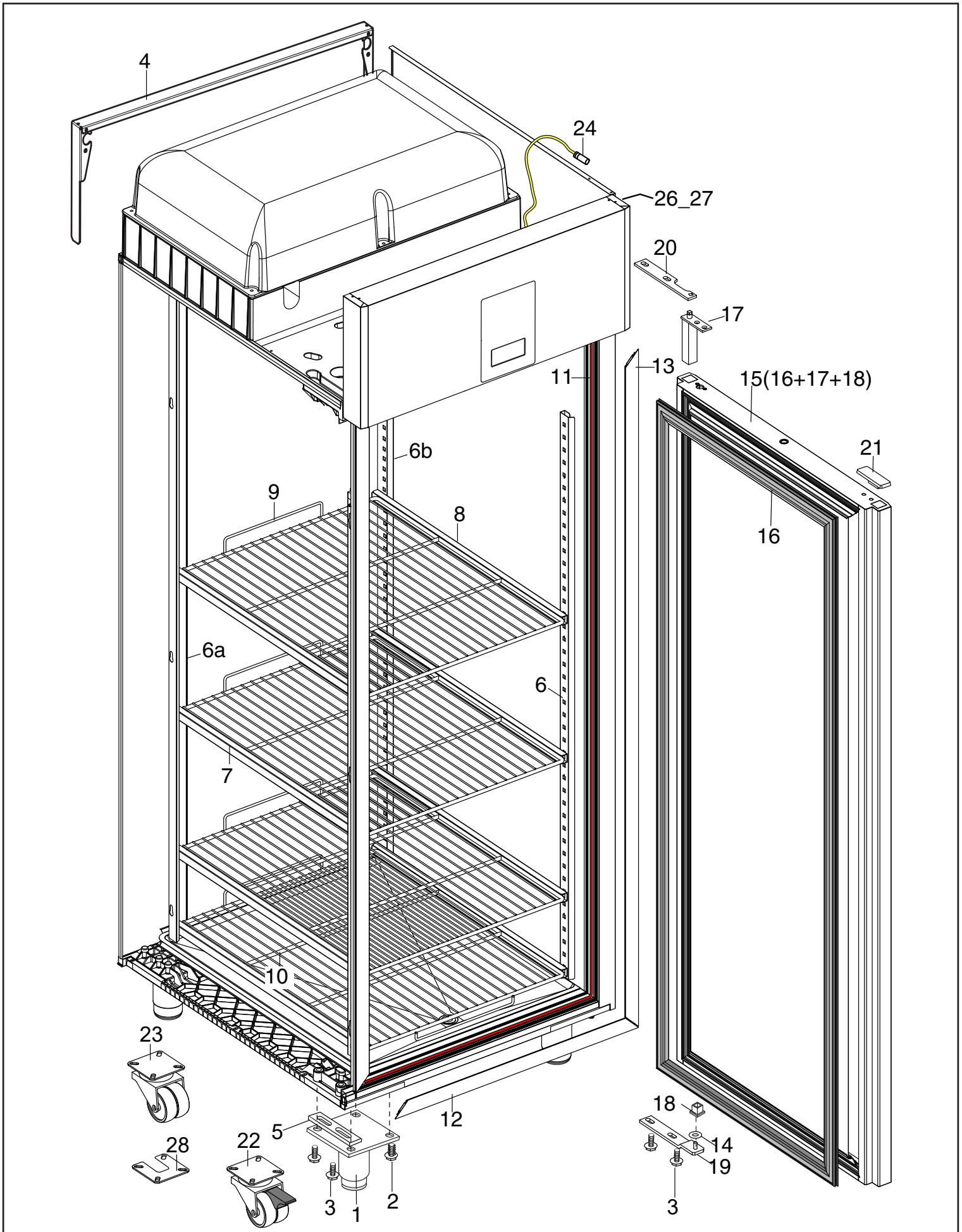
### FREEZER 700Lt

PNC	MODEL	REF.	PAG.	DESCRIPTION	NOTE/ BRAND
111317	ZRX71FFHC	b	3-4-5	Standard 1-D FREEZER 670L -22-15°C, DIGITAL A304 - R290	ZAN
111318	ZR471FFC	g	3-4-5	Standard 1-D FREEZER 670L -22-15°C, DIGITAL A430 - R290	ZAN
111320	NCT71FRHPC	k	3-4-6	Premium 1-D FREEZER 670L -22-15°C, DIGITAL W. LIGHT A304 - R290	ZAN
111324	ZRX71FFHC	d	3-4-5	Standard 1-D FREEZER 670L -22-15°C, DIG. W. LIGHT, A304 R290	ZAN
725459	ERX71FFHC	a	3-4-5	Standard 1-D FREEZER 670L -22-15°C, DIGITAL A304 - R290	EPR
725465	RE471FFC	f	3-4-5	Standard 1-D FREEZER 670L -22-15°C, DIGITAL A430 - R290	EPR
725466	RE471FFCG	h	3-4-5	Standard 1-D FREEZER 670L -22-15°C, DIGITAL S/S+WHEELS A430 - R290	EPR
725477	ESP71FFCHPA	j	3-4-6	Premium 1-D FREEZER 670L -22-15°C, DIGITAL W. LIGHT A304 - R290	EPR
725491	ESP71FFCHPAG	n	3-4-6	Premium 1-D FRE. 670L -22-15°C, DIGIT. W. LIGHT S/S+WHEELS A304-R290	EPR
725493	ERX71FFHC	e	3-4-5	Standard 1-D FREEZER 670L -22-15°C, DIG. W. LIGHT, A304 R290	EPR
729689	ARX71FFHC	c	3-4-5	Standard 1-D FREEZER 670L -22-15°C, DIGITAL A304 - R290	APX
729691	CTE71FFCHPC	m	3-4-6	Premium 1-D FREEZER 670L -22-15°C, DIGITAL W. LIGHT A304 - R290	APX

## INDEX - INDICE

## PAG.

CABINET AND DOOR	3
COOLING UNIT	4
CONTROL PANEL	5-6
SPARE PARTS LIST - CABINET AND DOOR	7-8
SPARE PARTS LIST - COOLING UNIT	9
SPARE PARTS LIST - CONTROL PANEL	10-11



**CABINET FULL DOOR**

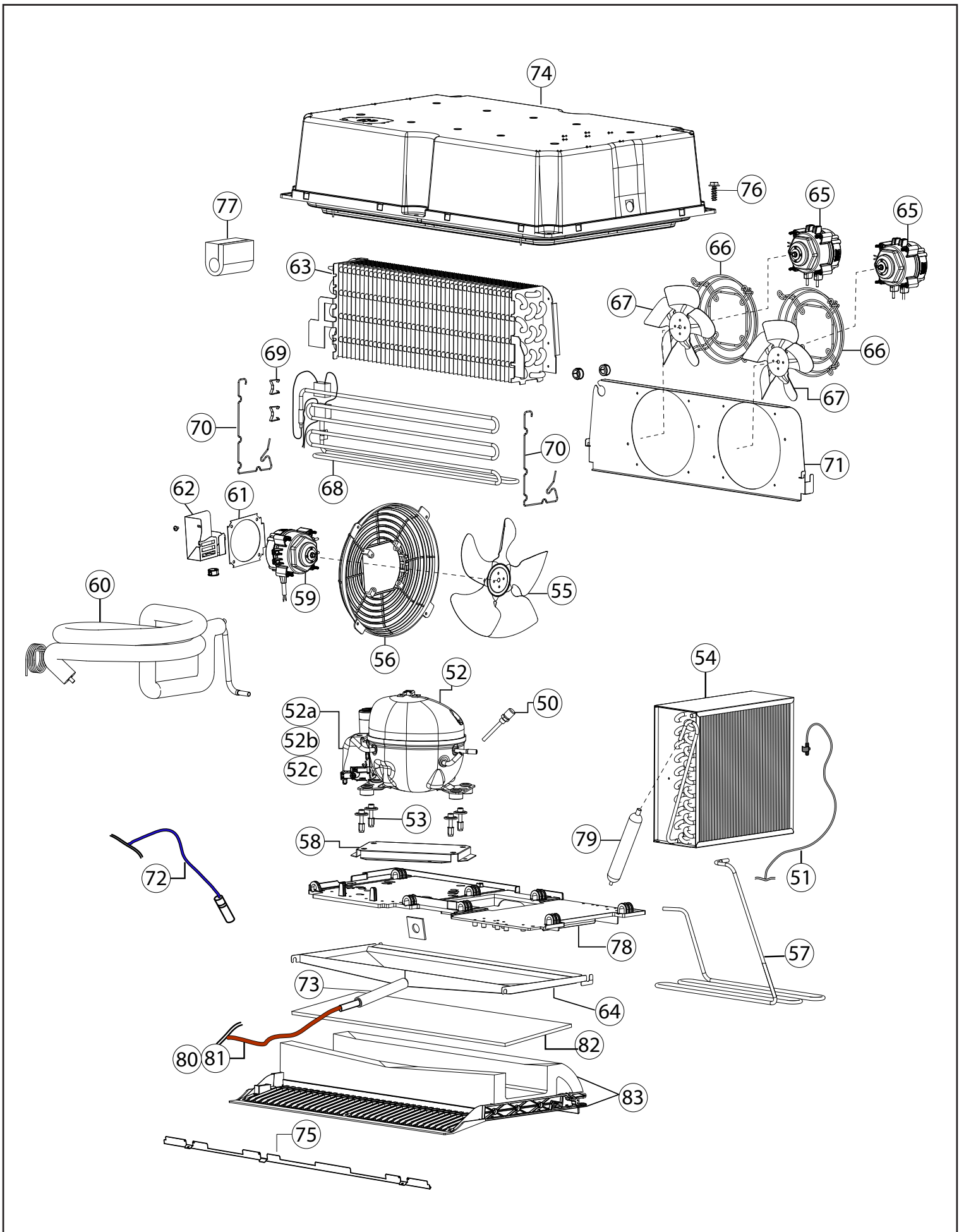
From Ser. Nr.  
Up to Ser. Nr.

Ed. 01 2024-02  
Ed. 01 2024-11

Page: 3

@

**Doc No:595R80500**



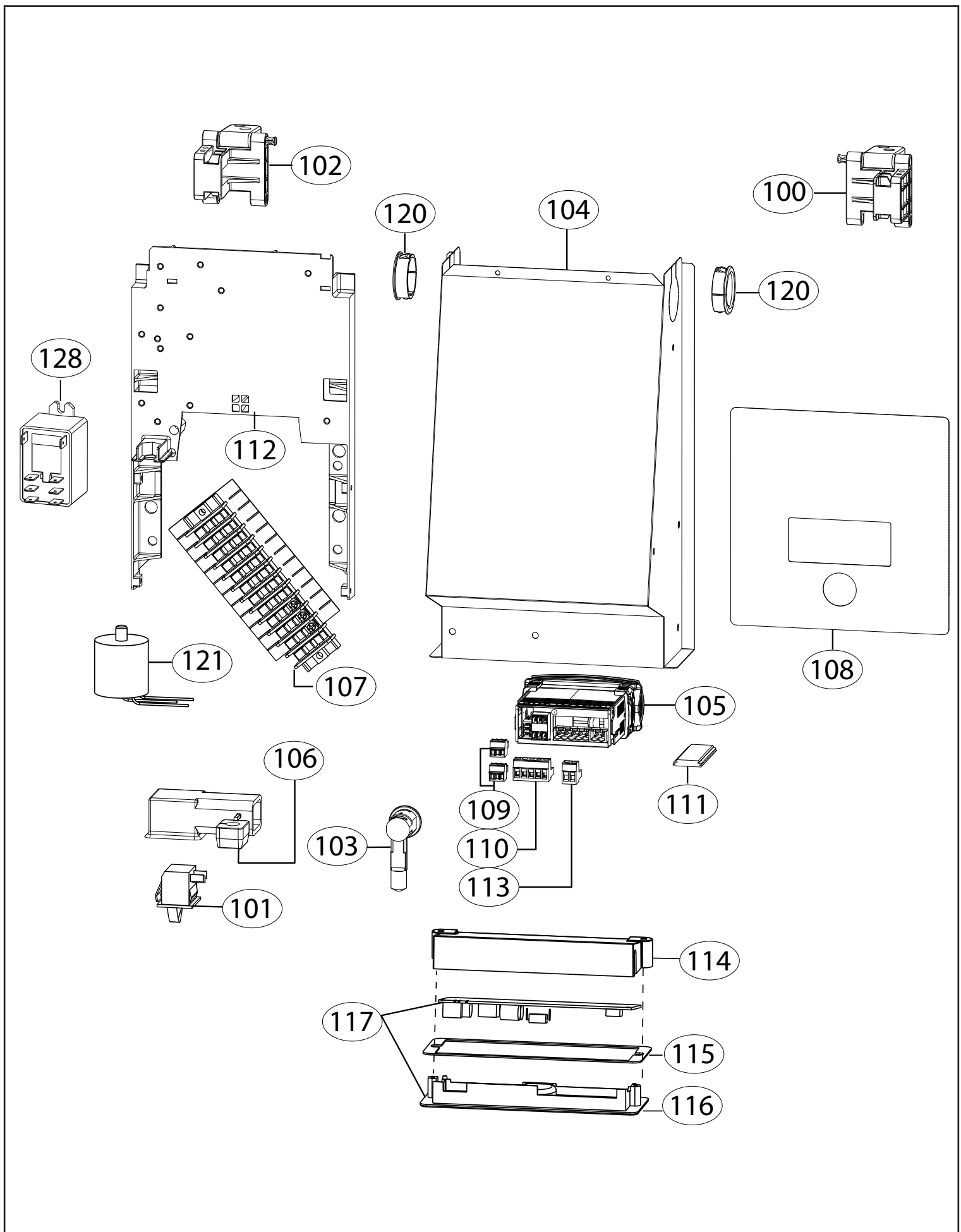
## COOLING UNIT

From Ser. Nr.  
Up to Ser. Nr.

Ed. 01 2024-02  
Ed. 01 2024-11

Page: 4 @

Doc No:595R80500



## CONTROL PANEL STANDARD CABINETS

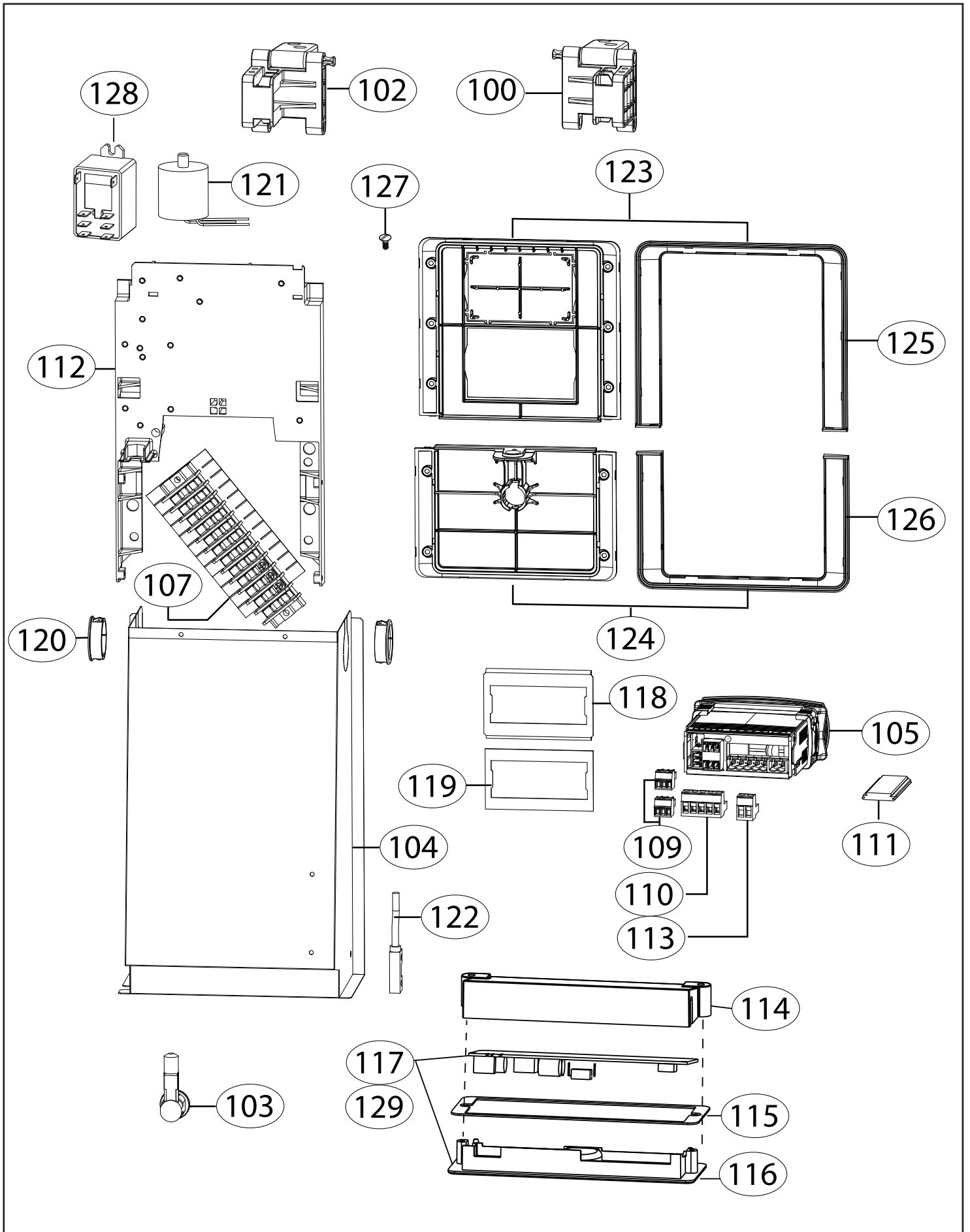
From Ser. Nr.  
Up to Ser. Nr.

Ed. 01 2024-02  
Ed. 01 2024-11

Page: 5

@

Doc No:595R80500



## CONTROL PANEL PREMIUM CABINETS

From Ser. Nr.  
Up to Ser. Nr.

Ed. 01 2024-02  
Ed. 01 2024-11

Page: 6 @

Doc No:595R80500

POS	FACTORY CODE	S.P. CODE	DESCRIPTION	V	W&T	REF.	NOTES	S/N BREAK (YYYY/WK)
1	541R05001	093243	Foot		x			
2	217555204	093245	Screw (used to fix foot)		x			
3	518708601	093246	Screw M8X20 (used to fix bracket)		x			
4	502R91800		Side support (upper)		x			
5	546R27100	093248	Foot spacer		x			
6	501R38201	093249	Front/Back rack A430		x	a; b; c; d; e; f; g; h	Std models	
6	501R36201	093355	Front rack A304		x	j; k; m; n	Premium	
6a	501R48300	093356	Right back rack		x	j; k; m; n	Premium	
6b	501R36101	093357	Left back rack		x	j; k; m; n	Premium	
7	501R47900	093250	Left support A430		x	a; b; c; d; e; f; g; h	Std models	
7	501R48000	093358	Left support A304		x	j; k; m; n	Premium	
8	501R48100	093251	Right support A430		x	a; b; c; d; e; f; g; h	Std models	
8	501R48200	093359	Right support A304		x	j; k; m; n	Premium	
9	514R10600	093252	Grid 2/1 rilsan		x			
9	514702003	081883	Grid 2/1 aisi 304		x	m		
10	514R12200	093253	Bottom grid rilsan		x			
10	514R17500	094231	Bottom grid aisi 304		x	m		
11	617R13200	094841	Heating cable frame 20.7 W		x		Premium	
12	832R09001	093254	Orizzontal frame		x			
13	832R09101	093255	Vertical frame		x			
14	546R39600	095019	Plastich washer to door bracket		x	j; k		
15	835R24309	093309	Door assembly A304 without lock		x	a; b; c		
15	835R75900	097458	Door assembly A 304 with lock		x	d; e		
15	835R24509	093312	Door assembly A430 without lock		x	f; g; h		
15	879R32004		Door assembly A304 without lock with magnet		x	j; k; m; n	Premium	
16	548R08000	094152	Gasket door	x				
17	835704001	082219	Hinge door		x			
18	544700601	081654	Door bush		x			
19	833R35400	094849	Lower stirrup door		x			
20	505723803	082257	Upper stirrup door		x			
21	541R05301	093271	Hole hinge plug		x			
22	835R24900	093575	Wheel with brake		x	h; n		
23	835R24800	093574	Wheel		x	h; n		
24	646R10900	093371	Ambient probe	x		j; k; m; n	Premium	
26	509R24601	097272	Control panel only stainless steel A304		x	a; b; c		
26	509R26800	09A1LD	Control panel only stainless steel predisposed to light		x	d; e		
26	509R24701	097273	Control panel only stainless steel A304		x	f; g; h		
26	509R20503	095169	Control panel only stainless steel predisposed to light		x	j; k; m; n	Premium	
27	883R79502	09A1LN	Module Control panel complete without light A304		x	a; b; c		Up to 2024/09
27	883R80603	09A1LQ	Module Control panel complete with light A304		x	d; e		Up to 2024/09

## SPARE PARTS LIST - CABINET AND DOOR

\* On demand

**Bold=last change**

From Ser. Nr. Up to Ser. Nr.	Ed. 01 2024-02 Ed. 01 2024-11	Page: 7	<b>Doc No:595R80500</b>
---------------------------------	----------------------------------	---------	-------------------------

POS	FACTORY CODE	S.P. CODE	DESCRIPTION	V	W&T	REF.	NOTES	S/N BREAK (YYYY/WK)
27	883R80102	09A1LP	Module Control panel complete without light A430		x	f; g		Up to 2024/09
27	883R79202	09A1LM	Module Control panel complete without light A430 UK plug		x	h		Up to 2024/09
27	<b>884R00000</b>		<b>Module Control panel complete without light A304</b>		x	a; b; c		<b>From 2024/10</b>
27	<b>884R00100</b>		<b>Module Control panel complete with light A304</b>		x	d; e		<b>From 2024/10</b>
27	<b>884R00200</b>		<b>Module Control panel complete without light A430</b>		x	f; g		<b>From 2024/10</b>
27	<b>884R00300</b>		<b>Module Control panel complete without light A430 UK plug</b>		x	h		<b>From 2024/10</b>
27	883R94902	09A1LT	Module Control panel complete without light A304		x	j; k; m		
27	883R95001	09A1LU	Module Control panel complete without light A304 UK plug		x	n		
28	504R17401	0TTMIE	Lock plate to whells		x	h; n		

## SPARE PARTS LIST - CABINET AND DOOR

\* On demand

**Bold=last change**

From Ser. Nr. Up to Ser. Nr.	Ed. 01 2024-02 Ed. 01 2024-11	Page: 8	<b>Doc No:595R80500</b>
---------------------------------	----------------------------------	---------	-------------------------

POS	FACTORY CODE	S.P. CODE	DESCRIPTION	V	W&T	REF.	NOTES	S/N BREAK (YYYY/WK)
50	A02021800	0A8171	Charge/discharge valve compressor	x				
51	646R09400	092360	Probe condenser	x		j; k; m; n	Premium	
52	684R02L00	09A1U8	Compressor gas R290 EM	x				
<b>52a</b>	*	<b>09A1VQ</b>	<b>PTC group relay</b>	<b>x</b>				
<b>52b</b>	*	<b>09A1VR</b>	<b>Overload protector</b>	<b>x</b>				
<b>52c</b>	*	<b>09A1VS</b>	<b>Run capacitor</b>	<b>x</b>				
53	217034304	097002	Support for compressor		x			
54	830R04900	093333	Condenser gas 4R	x				
55	511R00900	092752	Fan 230X25	x				
56	546709500	089755	Fan protection		x			
57	515R0AJ00	09A1LE	Evaporation water pipe	x				
58	502R19300	09A1LB	Compressor support		x			
59	682R12700	096482	Condenser ventilator/wiring 097055	x				
60	858R19000	09A1NH	Heat exchanger	x				
61	504R15800	096660	Protection fan grid		x			
62	506R01H00	09A1NE	Cover for wiring fan		x			
63	830R10600	094576	Evaporator	x				
64	833R21201	093278	Evaporatoion water tray stainless steel		x			
65	682R12700	096482	Evaporator motor fan/wiring 097055	x				
66	514R12300	093412	Fan protection grid		x			
67	511R01100	093411	Fan	x				
68	617R25500	097233	Heating element with thermostat 400W Ter.+20_+8°C		x			
69	514R11600	093487	Thermostat spring		x			
70	514R11200	093516	Spring heating element		x			
71	501R44803	093314	Evaporator conveyor 2 holes		x			
72	646R06700	092173	Cell probe	x				
73	544R03200		Pipe drainer (silicon)		x			
74	835R47691	095201	Evaporator cover	x				
75	501R72200	094807	Upper front covering AISI 304		x			
76	217555204	093245	Cover screw		x			
77	546R19702	093263	Pipe cover insulation	x				
78	546R26800	094451	Cooling basement carboran		x			
79	805729802	084078	Dehidrator filter Gr 15	x				
80	514R12900	093547	Spring retaining water heating element		x			
81	617R07801	093415	Heating element discharge water condens- er 8W		x			
82	548R07200	093409	Insulation evaporation water tray		x			
83	875R37600	097108	Internal carter + stainless steel deflector		x			

## SPARE PARTS LIST - COOLING UNIT

\* On demand

**Bold=last change**

From Ser. Nr. Up to Ser. Nr.	Ed. 01 2024-02 Ed. 01 2024-11	Page: <b>9</b>	<b>Doc No:595R80500</b>
---------------------------------	----------------------------------	----------------	-------------------------

POS	FACTORY CODE	S.P. CODE	DESCRIPTION	V	W&T	REF.	NOTES	S/N BREAK (YYYY/WK)
100	832R10200	093610	Hinge for panel (left)		x			
101	640R02100	094035	Switch door	x				
102	832R10100	093609	Hinge for panel (right)		x			
103	833R20900	093345	Lock L=24.5		x	a; b; c; f; g; h; j; k; m; n		
103	833R21100	093433	Lock L=21		x	d; e		
104	504R39300	097576	Back protection control panel		x	a; b; c; d; e; f; g; h	Standard	
<b>104</b>	<b>504R24303</b>	<b>097292</b>	<b>Back protection control panel</b>		<b>x</b>	<b>j; k; m; n</b>	<b>Premium</b>	
105	855R18401	097579	Thermoregulator iJF (standard)	x		g	Standard	Up to 2024/19
<b>105</b>	<b>855R0BY00</b>	<b>09A1NM</b>	<b>Thermoregulator iJF (standard)</b>	<b>x</b>		<b>g</b>	<b>Standard</b>	<b>From 2024/20</b>
105	855R0BY00	09A1NM	Thermoregulator iJF (standard)	x		c	Standard	
105	855R18401	097579	Thermoregulator iJF (standard)	x		a; b; d; e; f; h	Standard	Up to 2024/09
<b>105</b>	<b>855R0BY00</b>	<b>09A1NM</b>	<b>Thermoregulator iJF (standard)</b>	<b>x</b>		<b>a; b; d; e; f; h</b>	<b>Standard</b>	<b>From 2024/10</b>
105	855R0BH00	09A1NN	Thermoregulator iJF (premium)	x		j; k; m; n	Premium	
106	546R12100	092353	Door switch protection	x				
107	639R09900	093528	Clamp PG10-10/LOP-XHP-3CC	x				
108	595R75801	097761	Template adesive predisposed hole lock		x	c	Alpeninox	
108	595R75700	097614	Template adesive without hole lock		x	d	Zanussi	
108	595R75501	097612	Template adesive without hole lock		x	e	EPR	
108	598R98304	096577	Template adesive predisposed hole lock		x	a; f; h	EPR	
108	598R98603	097058	Template adesive predisposed hole lock		x	b; g	Zanussi	
109	639R04V00	097578	Small connector 3 ways		x			
110	639735900	099741	Connector 5 ways		x			
111	541R05401	093269	Door hinge plug		x			
112	546R43401	097284	Support electrical components		x			
113	639R04400	091682	Connector 2 ways		x			
114	546R19600	093387	Cover led		x	d; e; j; k; m; n		
115	569R05900	093390	Gasket cover led board	x		d; e; j; k; m; n		
116	546R19501	093386	Support led board predisposed for lock	x		d; e; j; k; m; n		
117	855R0A000	09A1LJ	Support led board predisposed for lock + led board	x		d; e; j; k; m; n		
118	546R09B00	09A1VL	Support plate thermoregulator iJF		x	j; k; m; n	Premium	
119	569R01A00	09A1LF	Gasket support plate thermoregulator iJF		x	j; k; m; n	Premium	
120	639739000	09A1LH	Plastich bushing (Ø32)		x			
121	694R00502	096636	RFI (radio frequency interference filter)		x	d; e; j; k; m; n		
122	640R00400	097073	Magnetic door sensor	x		j; k; m; n	Premium	
123	855R20300		Assembled template panel ZAN		x	k	Zanussi	
123	855R19500		Assembled template panel EPR		x	j; n	EPR	
123	855R19900		Assembled template panel APX		x	m	Alpeninox	
124	855R20200		Assembled template door ZAN		x	k	Zanussi	
124	855R19400		Assembled template door EPR		x	j; n	EPR	
124	855R19800		Assembled template door APX		x	m	Alpeninox	
125	546R20100		Template frame for panel ZAN/APX		x	k; m	Zanussi/ Alpeninox	

## SPARE PARTS LIST - CONTROL PANEL

\* On demand

**Bold=last change**

From Ser. Nr. Up to Ser. Nr.	Ed. 01 2024-02 Ed. 01 2024-11	Page: 10	<b>Doc No:595R80500</b>
---------------------------------	----------------------------------	----------	-------------------------

POS	FACTORY CODE	S.P. CODE	DESCRIPTION	V	W&T	REF.	NOTES	S/N BREAK (YYYY/WK)
125	546R20000		Template frame for panel EPR		x	j; n	EPR	
126	546R20300		Control door frame ZAN/APX		x	k; m	Zanussi/ Alpeninox	
126	546R20200		Control door frame EPR		x	j; n	EPR	
127	217541085	093491	Screws for template		x	j; k; m; n	Premium	
128	648R06300	093848	Relay 66.82.8.230.0001	x				
129	634R04500	09A1LG	Wiring cable for led board control panel	x		d; e; j; k; m; n		

## SPARE PARTS LIST - CONTROL PANEL

\* On demand

**Bold=last change**

From Ser. Nr. Up to Ser. Nr.	Ed. 01 2024-02 Ed. 01 2024-11	Page: 11	<b>Doc No:595R80500</b>
---------------------------------	----------------------------------	----------	-------------------------

Electrolux Professional SpA  
Viale Treviso, 15  
33170 Pordenone, ITALY  
Fax (+39) 0434 380 201  
<https://www.electroluxprofessional.com>  
<https://webgate.electroluxprofessional.com>